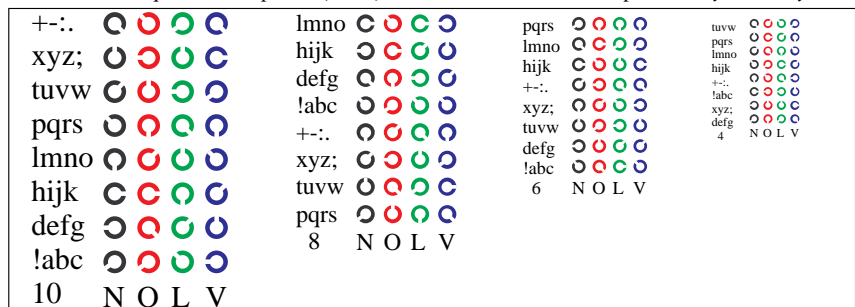
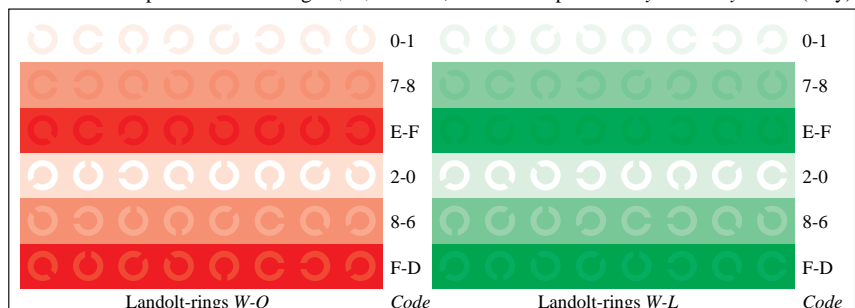


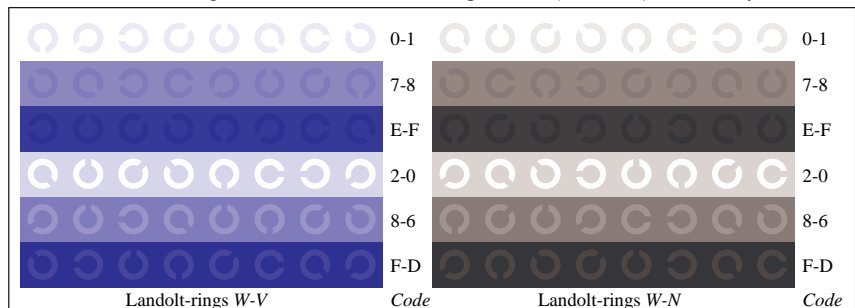
Picture D4: 16 equidistant steps W-O, W-L, W-V and W-N; Use of PS operator *cmy0* setcmykcolor* (only)



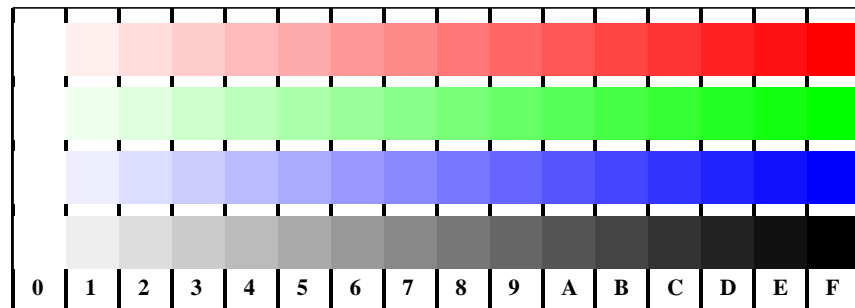
Picture D5: Script and Landolt-rings N, O, L and V; Use of PS operator *cmy0* setcmykcolor* (only)



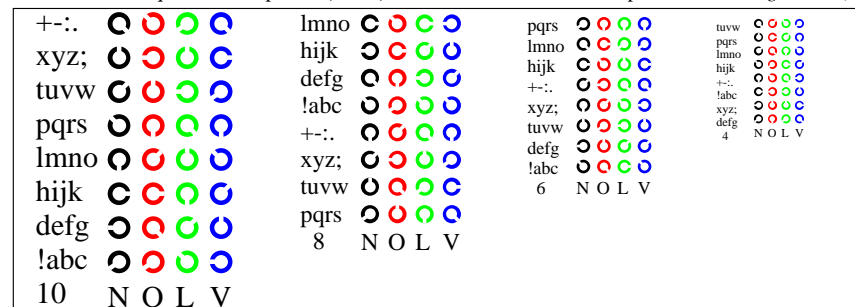
Picture D6: Landolt-rings W-O and W-L; Use of PS operator *cmy0* setcmykcolor* (only)



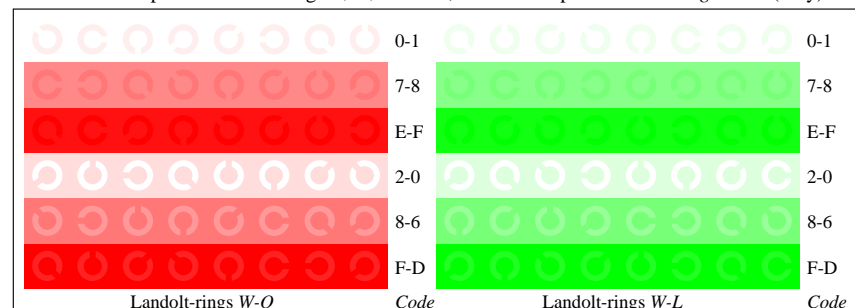
Picture D7: Landolt-rings W-V and W-N; Use of PS operator *cmy0* setcmykcolor* (only)



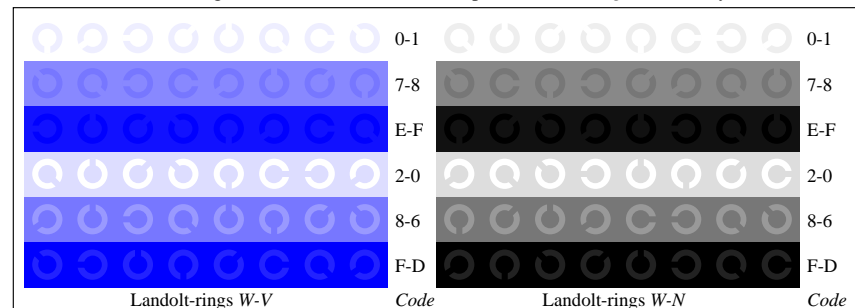
Picture D4: 16 equidistant steps W-O, W-L, W-V and W-N; Use of PS operator *olv* setrgbcolor* (only)



Picture D5: Script and Landolt-rings N, O, L and V; Use of PS operator *olv* setrgbcolor* (only)



Picture D6: Landolt-rings W-O and W-L; Use of PS operator *olv* setrgbcolor* (only)



Picture D7: Landolt-rings W-V and W-N; Use of PS operator *olv* setrgbcolor* (only)