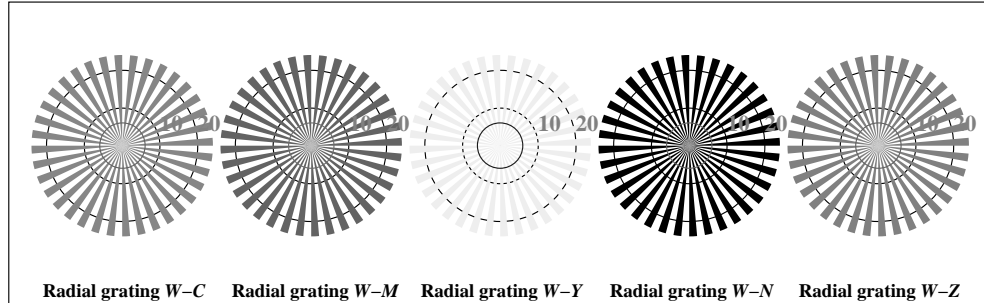
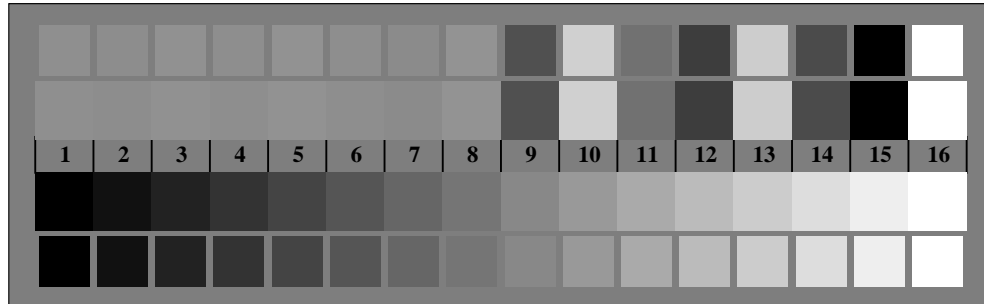




Picture B1: Flower motif, 14 CIE-test colours and 2 + 16 grey steps (sf); PS operators *settransfer*, 3 *colorimage*



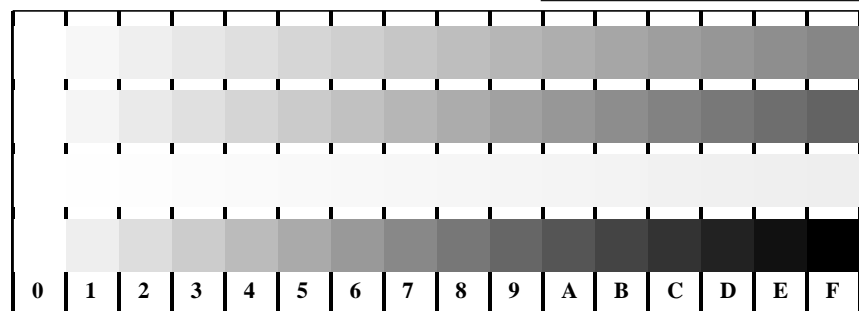
Picture B2: Radial gratings W-C, W-L, W-Y, W-N, and W-Z; PS operator *olv* setrgbcolor / w* setgray*



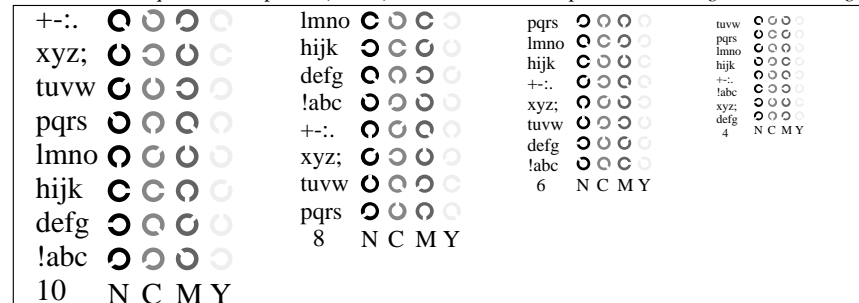
Picture B3: 14 CIE-test colours and 2 + 16 grey steps; Use of PS operator *olv* setcolor / w* setgray*

Fig. B1 to B7 of ISO/IEC-test chart 2;

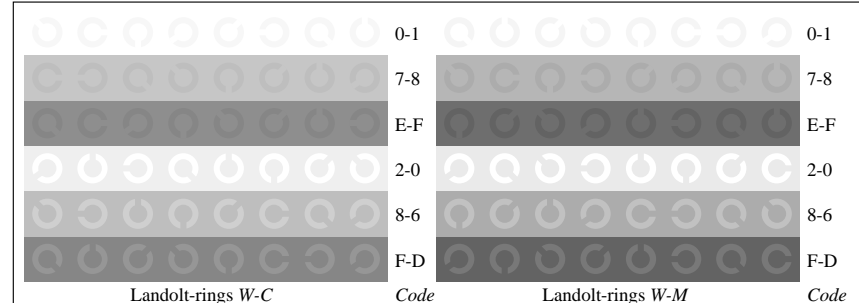
ISO/IEC 15775 and input: *olv* setrgbcolor / w* setgray*
 DIS ISO/IEC 19839-X; output: *w* setgray*



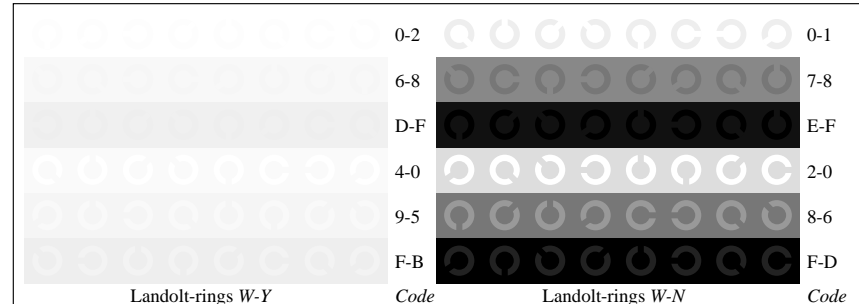
Picture B4: 16 equidistant steps W-C, W-M, W-Y and W-N; PS operator *olv* setrgbcolor / w* setgray*



Picture B5: Script and Landolt-rings N, M, C and Y; Use of PS operator *olv* setrgbcolor / w* setgray*



Picture B6: Landolt-rings W-C and W-M; Use of PS operator *olv* setrgbcolor / w* setgray*



Picture B7: Landolt-rings W-Y and W-N; Use of PS operator *olv* setrgbcolor / w* setgray*