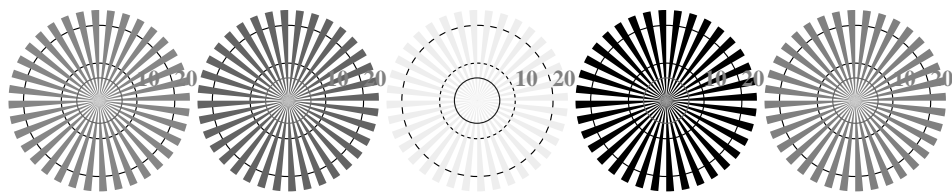


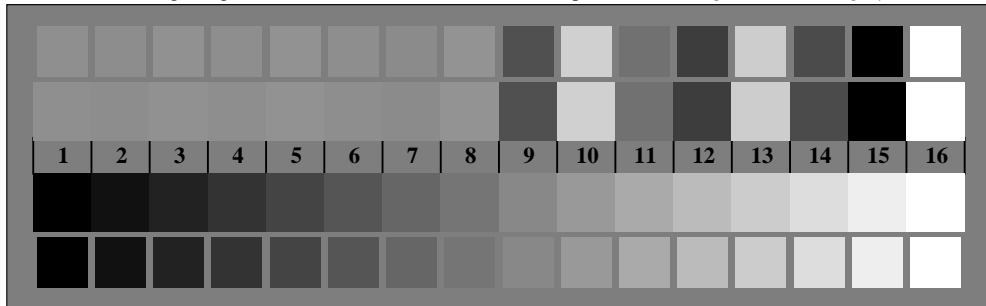
image pixel: 192 x 128  
 384 x 256  
 768 x 512  
 1536 x 1024  
 3072 x 2048



Picture B1: Flower motif, 14 CIE-test colours and 2 + 16 grey steps (sf); PS operators *settransfer*, 3 *colorimage*



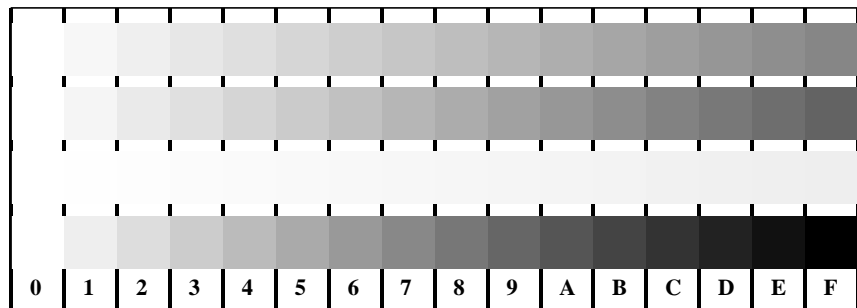
Picture B2: Radial gratings *W-C*, *W-L*, *W-Y*, *W-N*, and *W-Z*; PS operator *olv\* setrgbcolor / w\* setgray*



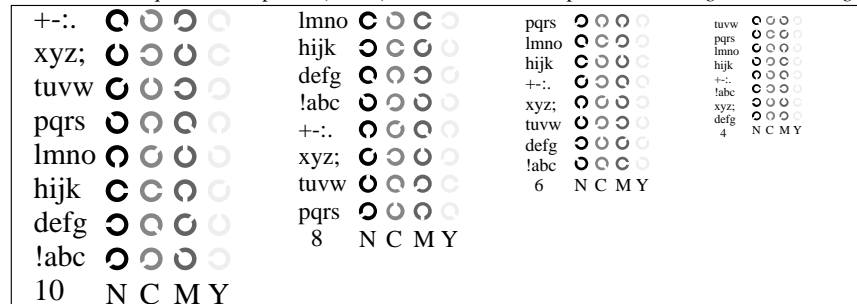
Picture B3: 14 CIE-test colours and 2 + 16 grey steps; Use of PS operator *olv\* setrgbcolor / w\* setgray*

Fig. B1 to B7 of ISO/IEC-test chart 2;

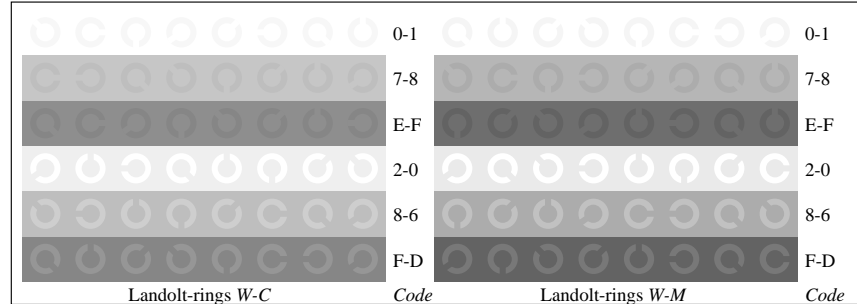
ISO/IEC 15775 and input: *olv\* setrgbcolor / w\* setgray*  
 DIS ISO/IEC 19839-X; output: *w\* setgray*



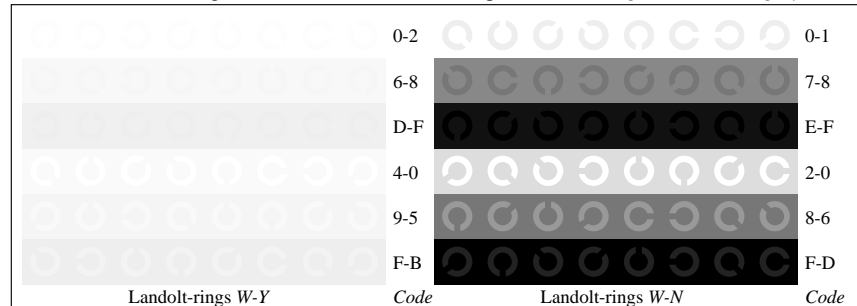
Picture B4: 16 equidistant steps *W-C*, *W-M*, *W-Y* and *W-N*; PS operator *olv\* setrgbcolor / w\* setgray*



Picture B5: Script and Landolt-rings *N*, *M*, *C* and *Y*; Use of PS operator *olv\* setrgbcolor / w\* setgray*



Picture B6: Landolt-rings *W-C* and *W-M*; Use of PS operator *olv\* setrgbcolor / w\* setgray*



Picture B7: Landolt-rings *W-Y* and *W-N*; Use of PS operator *olv\* setrgbcolor / w\* setgray*